

Brilliant UV Imaging.

Featuring a single, vivid, UV LED, Image Spot Mini UV projects standard and custom gobos that glow in ultraviolet environments – making it an excellent gobo projector for use inside museums, bowling alleys, laser tag arenas, and themed attractions.

The IP65-rated Image Spot Mini UV can be used indoors and outdoors, and the fixture's highly efficient optics enable it to project ultraviolet gobo effects up to 26 ft. (8m) away!



KEY FEATURES

- Single UV LED outputs at 365nm dominant wavelength for maximum fluorescent effect and minimal visible light
- IP65 rating allows indoor or outdoor use
- Accepts Rosco Gobos sized specifically for the Image Spot Mini UV
- On board dimming control
- Available control options include Non-Dim, 0-10V, Push to Dim, DALI , or DMX512, providing flicker-free dimming throughout the range: 100% ~ 0%
- Passive cooling for completely silent operation
- Standard color options: Black, Custom RAL
- IP65 external driver enclosure available for installation in outdoor environments

SPECIFICATIONS

Luminaire

Input Voltage:	14VDC, 1.0A	Weight:	2.2 lbs (1.0 kg)
Power Input:	14 W	Operating Temp.:	-13° F to 113° F (-25° C to 45° C)
Output:	5,600mW (365nm peak wavelength)	IP Rating:	IP65
Lumen Maintenance:	20,000 hours at 25°C (LM79-08)	Humidity:	0 - 95% non-condensing
Power/Data Connection:	6.5 ft. (2 m) Insulated Cable/Gland (IP65), unterminated (connector not included)	Housing:	Anodized Aluminum Extrusion
Dimensions:	4.7 in x 3.4 in x 1.9 in (119 mm x 84.2 mm x 48 mm) Excluding Yoke	Approvals:	ETL / UL Standards #2108:2015 cETL / CSA C22.2#250.0:2018 Ed.4 CE EN 62471 Standard - UV Risk Group 3



Image Spot Mini, 0-10V/PMW/Push Dim, 36W

Power Input:	14.7W, 100~277 VAC	Power Factor:	>0.95/115Vac, >0.9/230Vac, 0.85/277Vac (full load)
Output:	8~14Vdc, 1050mA	Efficiency:	>88%
Dimming:	0-10V, Push Dim	IP Rating:	IP44
Dimming Range:	0~100%	Class:	2

Compliant with Safety Extra Low Voltage (SELV) standard.

Image Spot Mini DMX512/RDM Driver 36W

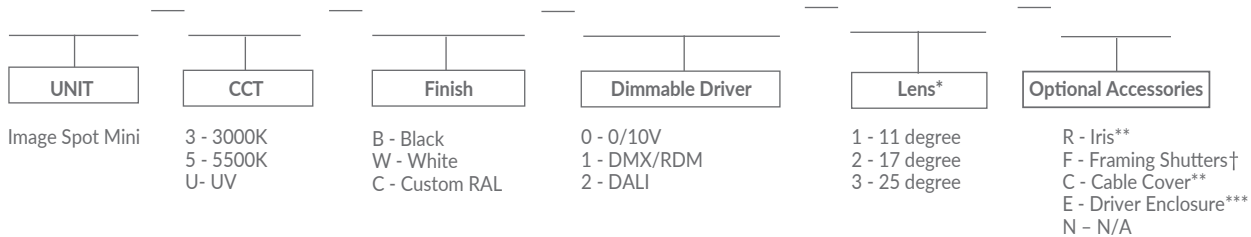
Power Input:	36W, 100~277 VAC	Power Factor:	>0.95/115Vac, >0.9/230Vac, 0.85/277Va (full load)
Output:	10~54Vdc, 200~1200mA	Efficiency:	>88%
Dimming Interface:	DMX512/RDM, One Channel	IP Rating:	IP44
Dimming Range:	0~100% (LED start at 0.1% possible)	Class:	2

Compliant with Safety Extra Low Voltage (SELV) standard.

Image Spot Mini DALI Driver 36W

Power Input:	36W, 100~277 VAC	IP Rating:	IP44
Output: Dimming	10~54Vdc, 200~1200mA	Class:	2
Interface: Dimming	DALI (bus standard: IEC62386-101,102,207)	Compliant with Safety Extra Low Voltage (SELV) standard.	
Range:	0~100% (LED start at 0.1% possible)		

SPECIFICATION ORDER CODES



Example:

Image Spot Mini — 3 — B — 0 — 1 — N

ie. Image Spot Mini - 3B01R =
Image Spot Mini, 3000K CCT, Black, 0-10V, 11 degree Lens, with no additional accessories.

*Lens Optics available in Black or Silver. Silver Lens Optics ship with White fixture finish.

**Iris Accessory cannot be used with a gobo

**Iris and Cable Cover available in Black and White finish

***Driver Enclosure available in Black only

† With Framing Shutters installed the Image Spot Mini does not retain its IP65 rating. Framing Shutters are suitable for indoor installations and dry locations only. A custom gobo is required for use with Framing Shutters.

Name: _____ Date: _____

Company Name: _____

Project: _____

If there are questions, contact Rosco Customer Service: CTOrders@rosco.com

Standard Mount Diagrams

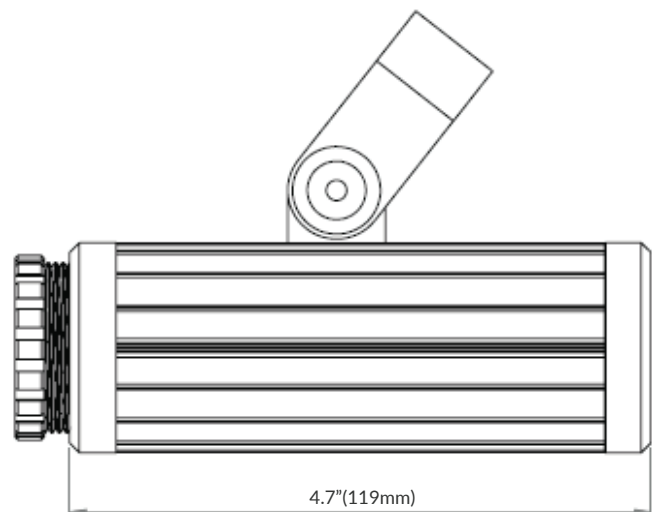
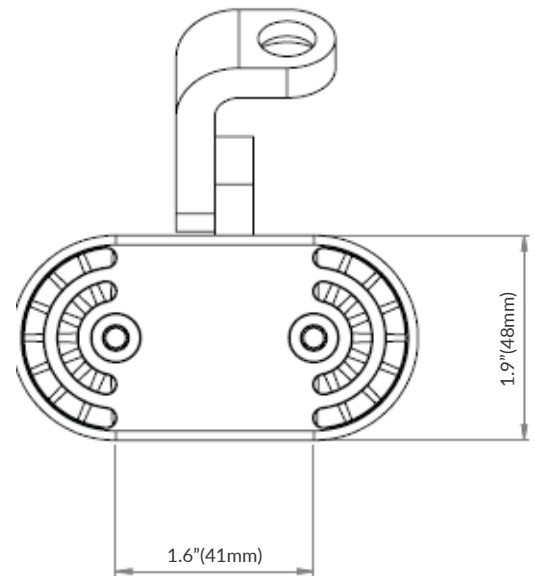


Image Spot® Mini UV Projector

Item Code	Description
2962000UV651	Image Spot Mini UV - IP65 - w/o Lens - Black

Image Spot® Mini Lens Optics

Item Code	Description
296220000111	Image Spot Mini Narrow Angle Lens Optic/11° - Black
296220000171	Image Spot Mini Medium Angle Lens Optic/17° - Black
296220000251	Image Spot Mini Wide Angle Lens Optic/25° - Black
296220000112	Image Spot Mini Narrow Angle Lens Optic/11° - Silver
296220000172	Image Spot Mini Medium Angle Lens Optic/17° - Silver
296220000252	Image Spot Mini Wide Angle Lens Optic/25° - Silver

Image Spot® Mini Drivers

Item Code	Description
296210036010	36W /1050mA CC 0-10V Dimmable Driver
296210000DMX	36W/1050MA CC DMX-RDM Driver, One Channel
29621000DALI	36W /1050mA CC DALI Dimmable Driver
296210000006	Image Spot Mini Driver Enclosure IP65 Black

Image Spot® Mini Accessories

Item Code	Description
296220000022	Image Spot Mini Cable Cover - Black
296220000023	Image Spot Mini Cable Cover - White

Image Spot® Mini Gobos (includes bezel to fit inside gobo cassette)

Item Code	Description
<i>Standard Gobos</i>	
XXXXX-MINI	Image Spot Mini Standard Gobo XXXXX = The five digit standard gobo number
<i>Custom Gobos</i>	
25072101MINI	Image Spot Mini Custom Steel Gobo
260CUSBWMINI	Image Spot Mini Custom B&W Glass Gobo