

The Miro Cube 2 range of LED fixtures is engineered to provide lighting designers and integrators with precision light control and tech-enabled solutions so they can execute their projects with accuracy and efficiency. The sophisticated features inside these compact and powerful light fixtures make specification and integration simple.

The sleek new design of the Miro Cube 2 is packed with state-of-the-art technology. Available in RGBW, RGBA, UV & tunable white light models, the patented technology inside Miro Cube 2 provides maximum output, and flicker-free dimming from a 4-in. (10 cm) cube-shaped LED light. Not only does the fixture offer multiple control options, designers can also specify their Miro Cube 2 to arrive preset to a specific hue or color temperature for easy integration.

All of these features make Miro Cube 2 fixtures an excellent choice for illuminating retail stores, museums, themed environments, broadcast studios, or any other installation that needs a voluminous amount of light – but doesn't have space for large, bulky fixtures.



Project:	Type:
Quantity:	Location:



KEY FEATURES

- Patented Ludicrous Mode™ intelligently redistributes the fixture's power per-channel to produce maximum brightness for any color-temperature or hue.
- Incredibly high output from an ultra-compact fixture thanks to its patented heat management system.
- Fixtures can be Pre-Tuned with factory presets to a specified hue or color temperature.
- Master Dim Mode enables users to set their hue or color temperature, then dim the fixture via a single channel.
- Multiple control options, including: RDM compatible DMX and 0-10VDC
- Can be controlled with a mobile device using the myMIX[®] Connect accessory and the myMIX[®] App.
- Flicker-free dimming via 16kHz PWM in 8- or 16-bit resolution, or via the fixture's unique NO PWM mode.
- The 4C, 4CA, and WNC fixtures ship with a kit of 20°, 30°, and the reversible 40°R60° OPTI-SCULPT™ beam-shaping lenses. Other OPTI-SCULPT Lens accessories are also available.
- A Classic Conversion option, featuring the Powercon/XLR connectors and LCD user interface used in the original Miro Cube, is also available.

Miro Cube[®] 2

DESIGNED BY THE BLACK TANK



SPECIFICATIONS

	WNC	4C	4CA	UV365
Input Voltage:	90-240VAC 50/60H			
Power Consumption:	50W			
Power Input:	Hard-wired pigtail, 6 feet/1.82 meters			
Lumen Maintenance:	72,600 hours at L80 at 45°C			
Data Connector:	RJ45 In/Out Connectors			
Max Output:	4100lm	1443lm	1135lm	18,000m/W
Color Temp. Range:	2700K-6000K	3200K-10,000K	2200K-10,000K	N/A
Avg. CRI (White Light):	92+	80+	92+	N/A
LED Color Specifications:	W: 2700K N: 4000K C: 6000K	R: 625nm G: 525nm B: 453nm W: x0.32, y0.32	R: 625nm G: 525nm B: 453nm A: x0.57, y0.42	Peak output @365nm
True Rosco Color™ Gel Matches:	N/A	44	54	N/A
Operation:	DMX RDM or 0-10V Dimmable			
Operating Temp.:	-13° to 113°F (-20° to 45° C)			
Humidity:	0-95% non-condensing			
Dimensions:	4.3 in x 4.3 in x 4.9 in (109mm x 109mm x 125mm)			
Weight:	2.1 lbs (0.95 kg)			
Housing:	Powder coated, die-cast aluminum			
Approvals:	cETL, ETL, CE, UKCA, FCC Class A Compliant; Dry Locations			
IP Rating:	IP20			
DMX Channels:	1,2,3,4,6	1,2,4,5,8	1,2,4,5,8	1
myMIX [®] Connect Compatible:	Yes			
Finish:	Black, White, Custom			Black Only



Miro Cube 2 Classic Conversion

(same as above except for the following)

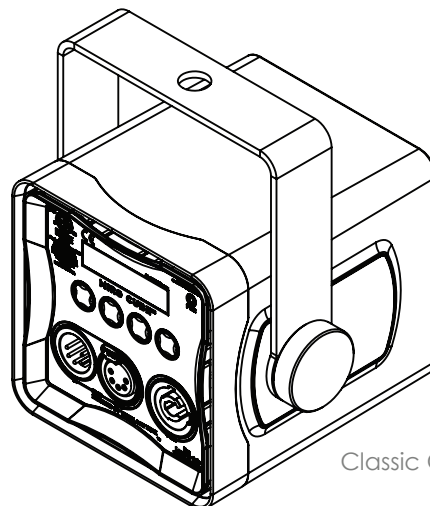
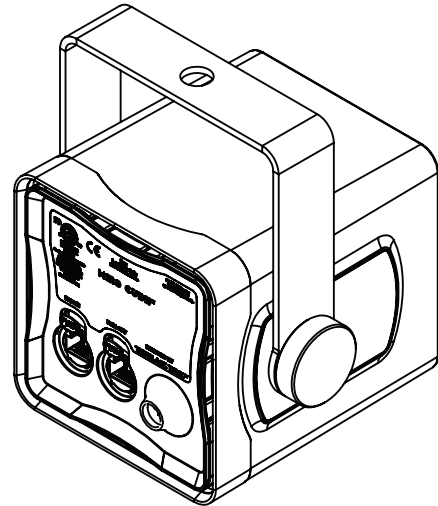
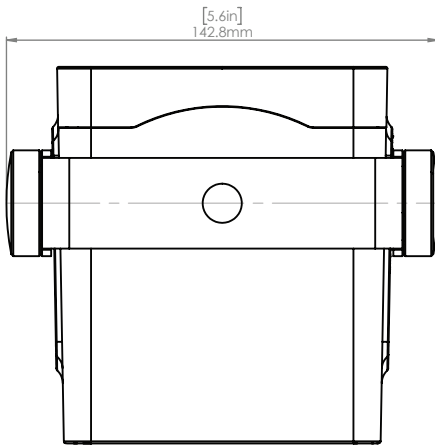
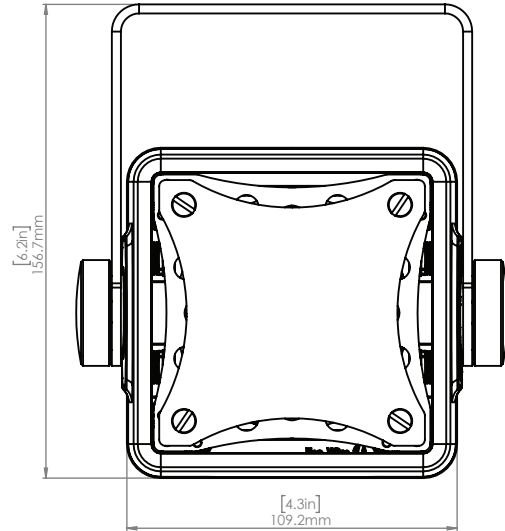
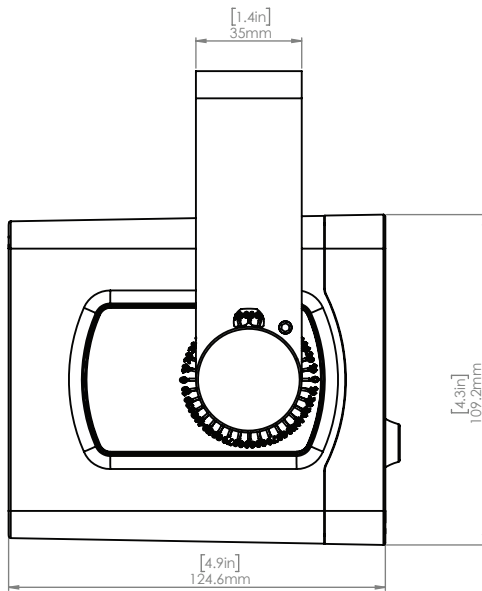
	WNC	4C	4CA	UV365
Power Input:	Neutrik Powercon, 6.56 feet/2 meters			
Data Connector:	5-Pin XLR In/Out connectors			
Operation:	DMX RDM + Full Text LCD screen user-interface			
Finish:	Black Only			
myMIX [®] Connect Compatible:	No			

Miro Cube[®] 2

DESIGNED BY THE BLACK TANK



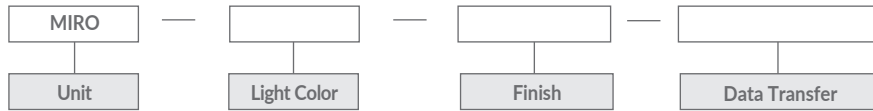
DIMENSIONS/DRAWINGS



Classic Conversion

MIRO CUBE 2 SPECIFICATION ORDER CODES

Use these codes to specify your fixture type.



- MIRO** : Miro Cube 2
- W** : WNC (2700-6000K)
4 : 4C (RGBW)
A : 4CA (RGBA)
U : UV365
T : Color Tuned*
O : White Tuned*
- B** : Black
W : White
C : Custom Color*
- R** : RJ45
C : Classic Conversion**
 (5-pin XLR, Powercon, LCD Display UI)

EXAMPLE:
 Miro Cube 2 WNC fixture in black finish with RJ45 data interface:
 MIRO-W-B-R

*If any of these options are selected, please complete the Custom Modifications section below.
 ** Classic Conversion is only available in a black finish. Custom Modifications are not available for Classic Conversion.

MIRO CUBE 2 ACCESSORY SPECIFICATION ORDER CODES

Use these codes to specify any accessories you want your fixture to have.



- MIROA** : Miro Cube 2 Accessory
- X** : Standard Yoke*
Y : Data Track Adapter*
Z : Custom Track Adapter (Halo, Global, etc.)**
- O** : Miro Cube 2 OPTI-SCULPT™ Lens Kit (included with fixture)
C : Specified OPTI-SCULPT™ Lens***
X : N/A
- B-B** : Barn Door Black
B-W : Barn Door White
Y-B : Top Hat Black
Y-W : Top Hat White
E-B : Egg Crate Black
X : N/A
- M** : myMIX[®] CONNECT RJ45
X : N/A

EXAMPLE:
 Miro Cube 2 4C fixture in white finish with RJ45 data interface, standard yoke, the included OPTI-SCULPT Lens Kit, white barn doors, and myMIX Connect:
 MIRO-4-W-R
 MIROA-X-O-B-W-M

*Yoke and Track Adapters will match the black or white housing finish chosen for the fixture. Rosco provided Data Track Adapter and track system supplied from Stucchi ONETRACK UL. Contact Project.Management@rosco.com to order track system.
 ** Not available for all styles of track
 *** If this option is selected, please complete the Custom Modifications section below.

MIRO CUBE 2 CUSTOM MODIFICATION SPECIFICATION ORDER CODES

Only use these codes if you need to provide details about the fixture's custom color/color temperature preset, or the custom finish for the fixture housing.



- MIROC** : Custom Modification Required
- TH(XXX)S(YY)** : X=Hue, Y=Saturation
0(####) : #=Color Temperature K
- FRAL(####)** : RAL Color Number
- OSXXXX** : OPTI-SCULPT Lens Number

EXAMPLE:
 Miro Cube 2, preset to a bright blue color, in a bright blue housing, with RJ45 data interface, standard yoke, 10°x60° OPTI-SCULPT Lens, and no other accessories.
 MIRO-T-C-R
 MIROA-X-C-X-X
 MIROC-TH(233)S(92)-FRAL(5002)-OS1060

Name: _____ Date: _____

Company Name: _____

Project: _____

Miro Cube[®] 2 Accessories

Item Code	Description
MIROA-XXB-B	Miro Cube 2 - Barn Doors - Black
MIROA-XXB-W	Miro Cube 2 - Barn Doors - White
MIROA-XXY-B	Miro Cube 2 - Top Hat - Black
MIROA-XXY-W	Miro Cube 2 - Top Hat - White
MIROA-XXE-B	Miro Cube 2 - Egg Crate Louver - Black
MIROA-FXX-B	Miro Cube 2 - Double Yoke - Black
MIROA-YXX-2B	Miro Cube 2 - Data Track Adapter - Two-Circuit - Black
MIROA-YXX-3B	Miro Cube 2 - Data Track Adapter - Three-Circuit - Black
MIROA-YXX-2W	Miro Cube 2 - Data Track Adapter - Two-Circuit - White
MIROA-YXX-3W	Miro Cube 2 - Data Track Adapter - Three- Circuit - White
MIXCON-XBR	myMIX [®] Connect RJ45
296000005101	Rosco Pole Mount - Black
296000005102	Rosco Pole Mount - White
296000005104	Rosco Wall Mount - Black
296000005105	Rosco Wall Mount - White
296000005106	Rosco Surface Mount - Black
296000005107	Rosco Surface Mount - White
515910150005	Rosco Miro/Braq Powercon cord w/plug
515910170005	Rosco Miro/Braq Powercon cord w/inline switch & plug
MIROA-XOX	Miro Cube 2 - OPTI-SCULPT™ Lens Kit (20°/30°/40°R60°)
MIROA-XOS10X	Miro Cube 2 - OPTI-SCULPT™ Lens - 10°
MIROA-XOS20X	Miro Cube 2 - OPTI-SCULPT™ Lens - 20°
MIROA-XOS30X	Miro Cube 2 - OPTI-SCULPT™ Lens - 30°
MIROA-XOS40R60X	Miro Cube 2 - OPTI-SCULPT™ Lens - 40°R60° (reversible)
MIROA-XOS1020X	Miro Cube 2 - OPTI-SCULPT™ Lens - 10°x20°
MIROA-XOS1030X	Miro Cube 2 - OPTI-SCULPT™ Lens - 10°x30°
MIROA-XOS1040X	Miro Cube 2 - OPTI-SCULPT™ Lens - 10°x40°
MIROA-XOS1060X	Miro Cube 2 - OPTI-SCULPT™ Lens - 10°x60°
MIROA-XOS1535X	Miro Cube 2 - OPTI-SCULPT™ Lens - 15°x35°
MIROA-XOS1545X	Miro Cube 2 - OPTI-SCULPT™ Lens - 15°x45°
MIROA-XOS2040X	Miro Cube 2 - OPTI-SCULPT™ Lens - 20°x40°
515910112022	Miro Cube 2 - UV 365 Lens - 22°

Miro Cube[®] 2 WNC

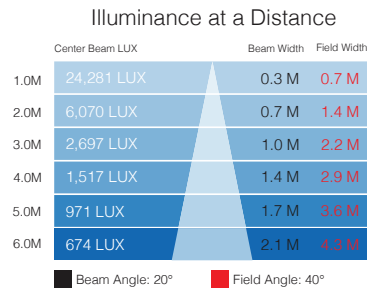
DESIGNED BY THE BLACK TANK



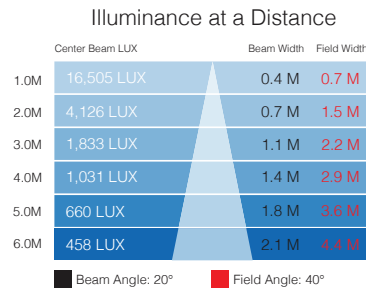
PHOTOMETRICS

WNC (2700-6000K Tunable White)

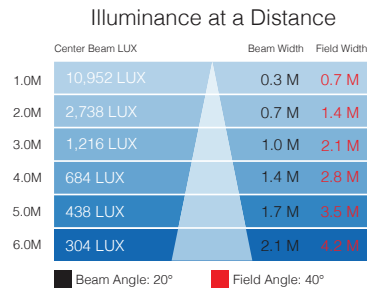
All On - No Lens Optic



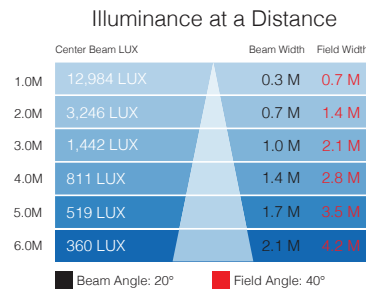
Full Cool White - No Lens Optic



Full Warm White - No Lens Optic



Full Neutral White - No Lens Optic



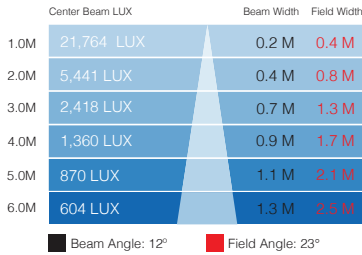
PHOTOMETRICS

4C (RGBW)

4CA (RGBA)

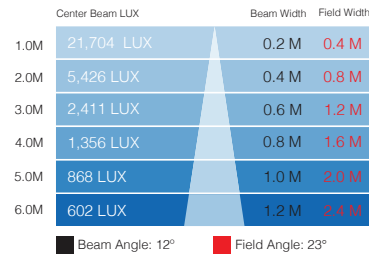
All LEDs On Native

Illuminance at a Distance



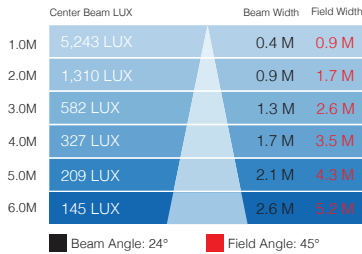
All LEDs On Native

Illuminance at a Distance



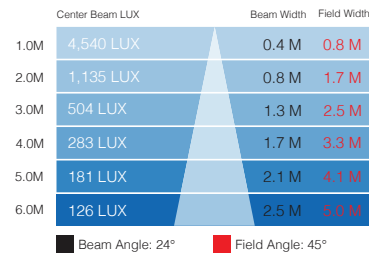
All LEDs On 20°

Illuminance at a Distance



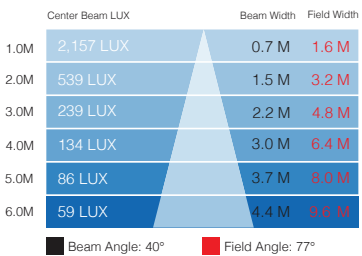
All LEDs On 20°

Illuminance at a Distance



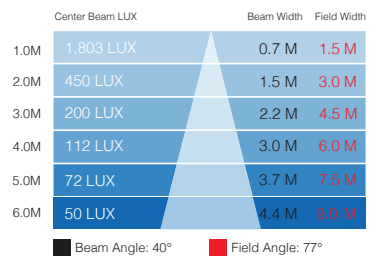
All LEDs On 40°

Illuminance at a Distance



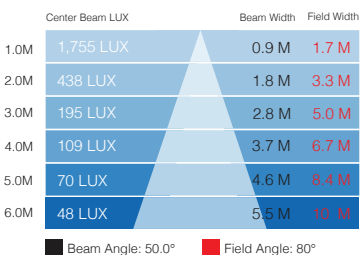
All LEDs On 40°

Illuminance at a Distance



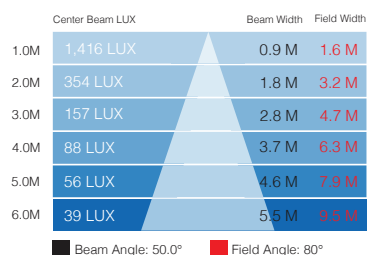
All LEDs On 60°

Illuminance at a Distance



All LEDs On 60°

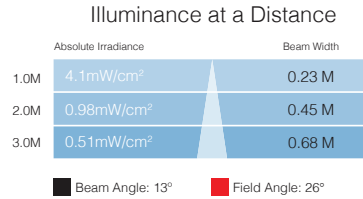
Illuminance at a Distance



PHOTOMETRICS

UV365 (365nm Black Light)

With Narrow Beam Lens



With Wide Beam Lens

